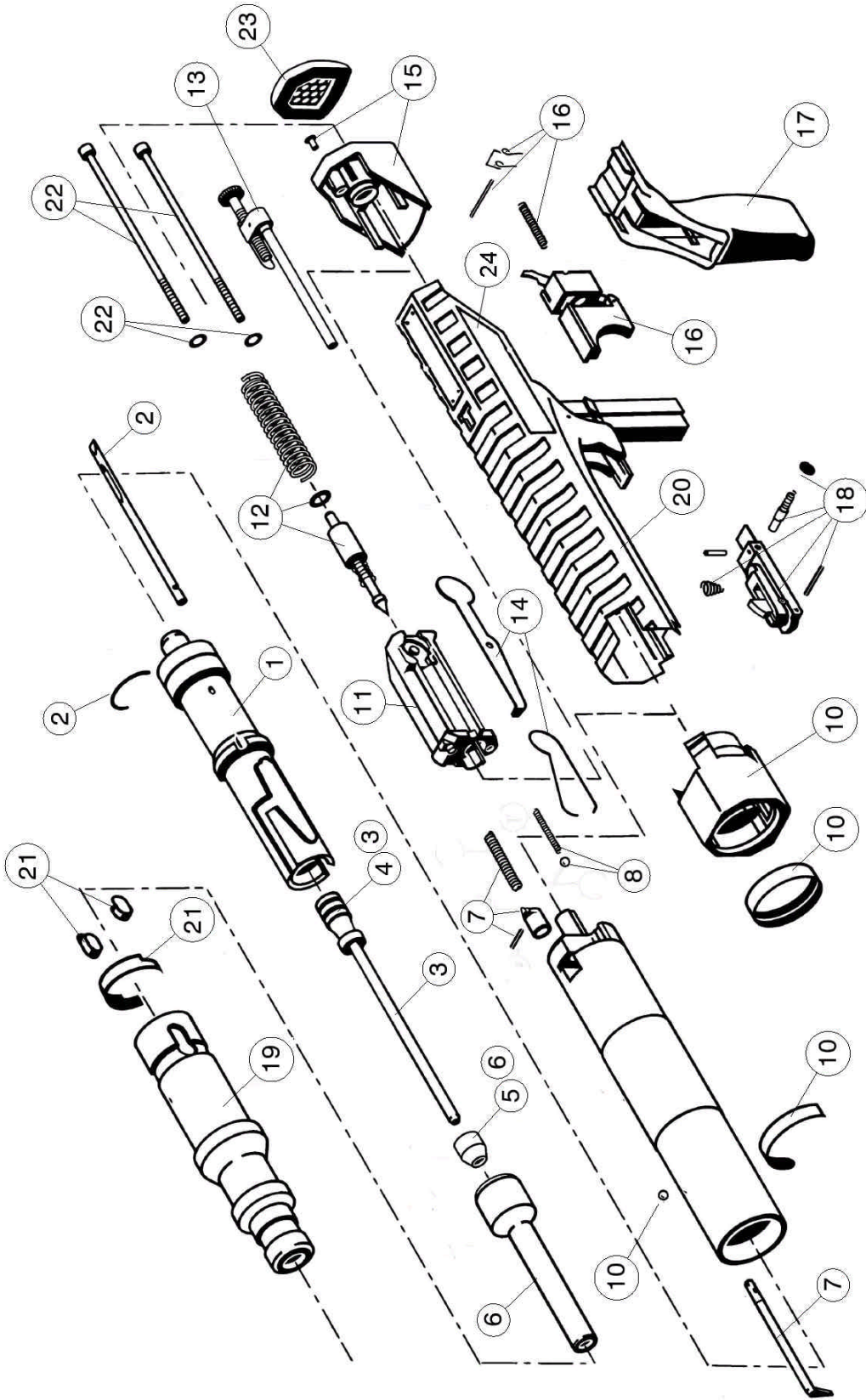


TS750PGB (C SERIES)

SERIAL NUMBERS: 66945 TO 102832

MANUFACTURE DATES: 19/10/99 TO 23/1/04



NOTE: THE RECEIVER WELDMENT IS NOT AVAILABLE AS A SPARE PART

Issue 1 - 15/3/05

DJM



TS750PGB (C SERIES) ITEM LISTS

SERIAL NUMBERS: 66945 TO 102832
MANUFACTURE DATES: 19/10/99 TO 23/1/04

ITEM	PART NUMBER	ORDER MULTIPLE	DESCRIPTION	COMPONENTS
1	PA27426	1	Barrel	Barrel
2	PA27883	5	Charge Advance Kit	Charge Advance Rod, Barrel Circlip
3	PA27833	2	Piston Assembly	Piston, Piston Circlip
4	PA27829	5	Piston Circlip (Qty. 5)	Piston Circlip (5)
5	PA27834	20	Buffer (Qty. 5)	Buffer (5)
6	PA27831	2	Fastener Guide Assembly	Fastener Guide, Buffer
7	PA27884	2	Rotary Sear & Cocking Rod Kit	Cocking Rod, Rotary Sear, Rotary Sear Pin, Cocking Rod Spring
8	PA27886	15	Strip Detent Kit	Ball, Spring
9	PA27580	10	Spall Guard	Spall Guard
10	PA27888	5	Front Housing Kit	Front Housing, Retaining Ring, Barrel Detent Clip, Barrel Detent Ball
11	PA27812	1	Mechanism Housing Kit	Mechanism Housing (Qty 10)
12	PA27890	5	Firing Pin Kit	Firing Pin Assembly, Firing Pin Spring, Firing Pin Washer
13	PA27814	5	Power Adjustment Assembly	Power Adjustment Assembly
14	PA27878	5	Advance Lever Kit	Charge Advance Lever, Advance Lever Spring
15	PA27820	2	End Cap Kit	End Cap, Power adjust. Detent Pin
16	PA27608	5	Trigger Kit	Trigger Assembly, Trigger Spring, Trigger Sear Spring, Trigger Mechanism Pin
17	PA27532	10	Rubber Handle Grip (Qty 1)	Original Style Rubber Handle Grip (Qty 1) – <i>Can only be used with original housing</i>
18	PA27923	1	Retractor Kit	Retractor Assembly, Retractor Detent Spring, Retractor Housing Pin.
19	PA27664	1	Front Barrel	Front Barrel
20	PA28270	10	Outer Housing Kit	Replacement Outer Housing (1), Replacement Rubber Grip – <i>Both must be replaced at the same time.</i>
21	PA27882	2	Front Barrel Retainer Kit (Qty 1)	Retainers (2), Retainer Clip (1)
22	PA27539	10	End Cap Screws Kit	End Cap Screws (2), Washers (2)
23	PA27823	1	End Cap Pad	End Cap Pad (Qty 10)
24	PA28283	5	TS750P Decal Kit (U.K.)	Warning Decal, Left Decal, Right Decal.

Issue 1 - 15/3/05
DJM

41