

Driva® Self Drilling Plasterboard Fixing



The original self drilling plasterboard anchor

Quick and easy to install using only a screwdriver.

Product Advantages

- High-strength body in Zamak 3
- A range of fixings for different applications
- Positive tightening of the anchor
- No need for pre-drilling
- Corrosion resistant
- Point breaks away if an over long screw has been used
- Removable
- Head sits flush behind fixture
- Low profile head
- Screw thread profile designed for efficient cutting and ensures positive lock
- No maximum or minimum plasterboard thickness (excluding Driva® Plus)
- Driva® Plus combines screw and clamp fixing
- Mini Driva® for fixing trunking to plasterboard
- Stud Driva® for fixing Driva® where stud may be present

Substrates

Plasterboard - Dry partition walls
Aerated concrete (with predrilled hole
Ø 8mm)

Applications

- Bathroom accessories
- Fuse boxes
- Bracketry
- Signage
- Mirrors
- Dado Rails
- Radiators (Driva® Plus only)
- Trunking (Mini Driva®)

Specification

One piece self drilling anchor designed for fastening light / medium loads to plasterboard. For use in plasterboard, simply screw using a normal or power screwdriver. The point drills a pilot hole followed by a coarse, specifically designed helical thread biting into the plasterboard substrate making the fix. The separate screw is then used to mount the fixture.

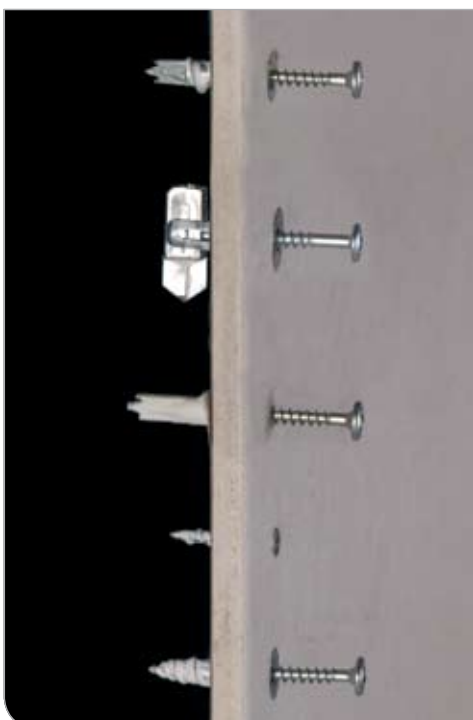
When using standard Driva® in aerated concrete it is necessary to drill a 8mm diameter pilot hole.

Driva® Plus works in the same way as Driva® in plasterboard, but is designed for fixing heavier loads. The additional hinged toggle swivels and pulls towards the inner face of the cavity through the action of the mounting screw. This gives a combined screw and clamp fix.

Mini Driva® is used on its own, whereas other Driva® products require a screw to secure the fixture and in the case of Driva® Plus, rotate the toggle.

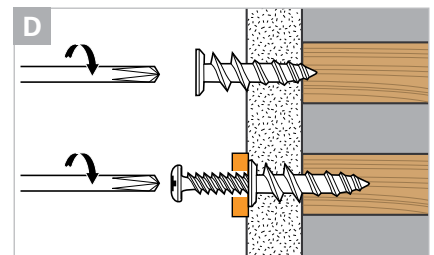
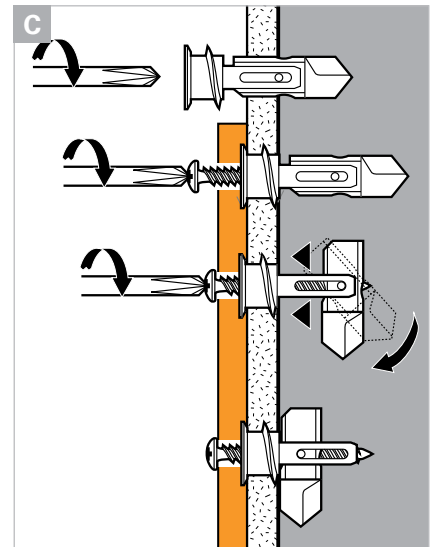
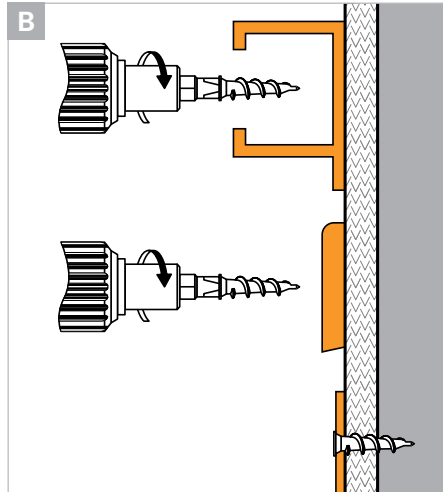
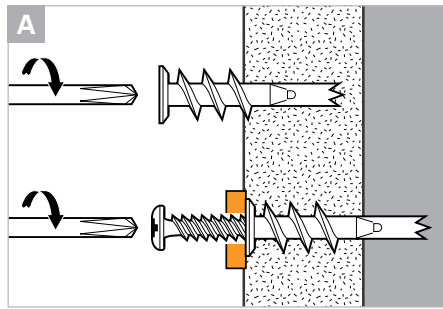
Material

Anchor Body: Zamak 3 - Driva®, Driva® Plus, Mini Driva®
Glass Fibre reinforced nylon polyamide - Driva® LD.



Driva® Self Drilling Plasterboard Fixing

1. Using a N°.2 Phillips screwdriver place fixing point against the plasterboard.
2. Screw the fixing into the plasterboard until the fixing is flush with the plasterboard surface.
3. Offer up item to be fixed.
4. Using the screw provided, screw into the Driva® body to achieve fix.



- A. Installation for Driva® original and LD.
- B. Installation for Mini Driva®
- C. Installation for Driva® Plus.
- D. Installation for Stud Driva®

Product Range - Driva® Self Drilling Plasterboard Fixing



Eurocode	Description	Anchor Length	Screw Length	Max Fixture Thickness	Drill Diameter*	Box Qty
059360	Driva® TP12	37mm	35mm	12mm	8mm	100
059380	Driva® TF27	37mm	50mm	27mm	8mm	100
059370	Driva® TF5	37mm	25mm	5mm	8mm	100
059910	Driva® F12	43mm	35mm	12mm	-	100

* For pre-drilling into aerated concrete

Product Range - Driva® Self Drilling Plasterboard Fixing Screwdriver Kit



Eurocode	Description	Box Qty
074180	Kit of 200 TP12 with screwdriver	200

Driva® Self Drilling Plasterboard Fixing

Driva® Self Drilling Plasterboard Fixing Recommended Loads

Anchor Type	13mm Plasterboard		Aerated Concrete	
	Tensile Load (kN)		Shear Load (kN)	
Metal Driva®	0.065	0.06	0.18	0.18

Product Range - Mini Driva Self Drilling Plasterboard Fixing



Eurocode	Description	Anchor	Head	Box Qty
		Length	Diameter	
059430	Mini Driva®	25mm	7.5mm	200

Mini Driva® Self Drilling Plasterboard Fixing Recommended Loads

Anchor Type	13mm Plasterboard
Tensile Load (kN)	
Mini Driva®	0.04

Product Range - Stud Solver Driva® Self Drilling Plasterboard Fixing



Eurocode	Description	Anchor	Screw	Box Qty
		Length	Length	
924440	Stud Solver Driva®	32mm	36mm	100

Stud Solver Driva® Self Drilling Plasterboard Fixing Recommended Loads

Anchor Type	13mm Plasterboard
Tensile Load (kN)	
Stud Solver Driva®	0.7*

*Note: loadings only valid into substrate where stud is present.

Driva® Self Drilling Plasterboard Fixing

Product Range - Driva® Plus Self Drilling Plasterboard Fixing

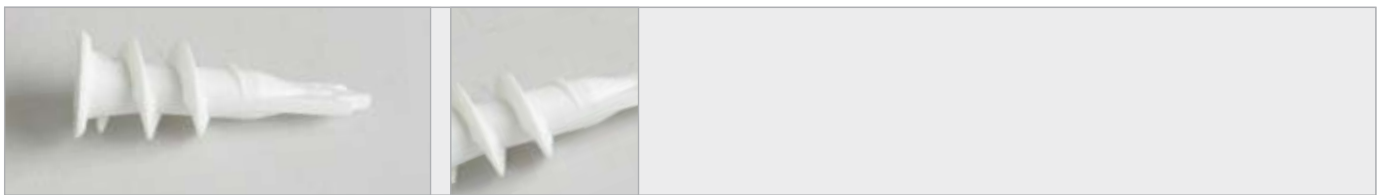


Eurocode	Description	Anchor Length	Screw Length	Max Fixture Thickness	Box Qty
061190	Driva® Plus TP12	39mm	45mm	12mm	100
061200	Driva® Plus TF30	39mm	60mm	30mm	100

Driva® Plus Self Drilling Plasterboard Fixing Recommended Loads

Anchor Type	13mm Plasterboard	13mm Plasterboard
	Tensile Load (kN)	Shear Load (kN)
Driva® Plus	0.12	0.28

Product Range - Driva® LD Self Drilling Plasterboard Fixing



Eurocode	Description	Anchor Length	Screw Length	Max Fixture Thickness	Box Qty
058850	Driva® LD TP12	30mm	25mm	12mm	200

Driva® LD Self Drilling Plasterboard Fixing Recommended Loads

Anchor Type	13mm Plasterboard	Aerated Concrete	13mm Plasterboard	Aerated Concrete
	Tensile Load (kN)	Tensile Load (kN)	Shear Load (kN)	Shear Load (kN)
Driva® LD	0.044	0.046	0.16	0.15